

LONDON
MATTE BLACK
FRAMED MIRROR

MFM700B

Dimension(mm)

700mm Diameter

Features




Wall Mounted with bracket

Framed with Matte Black

5mm Copper-free mirror

Pencil Edge

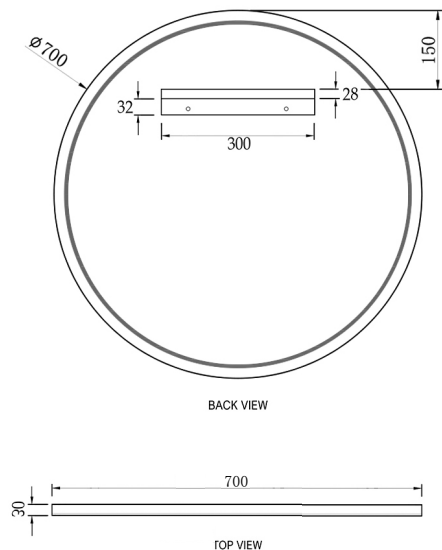
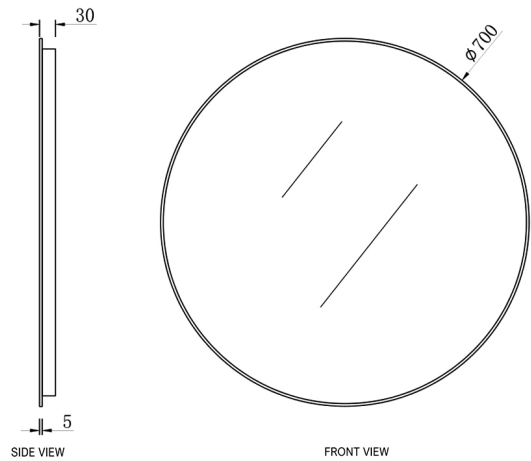
Option Extra

Matte Black	MFM700B	
Brushed Gold	MFM700G	
Chrome	MFM700CH	

Package Info

Package Size(mm) 700H | 80D | 750W

Gross Weight(kg) 7.2



DIMENSIONS ARE NOMINAL. DO NOT DRILL OR ROUGH IN UNTIL YOU HAVE RECEIVED AND MEASURED YOUR PRODUCT.

WARRANTY
12 MONTH

*Conditions apply